

PROJECT TEAM:

ARCHITECT:
 BUELL KRATZER POWELL, P.C.
 1525 LOCUST STREET
 PHILADELPHIA, PA 19102
 T: 215.557.6509

CIVIL ENGINEER:
 CARROLL ENGINEERING, INC
 215 SCHILLING CIRCLE, STE 102
 HUNT VALLEY, MD 21031
 T: 410.785.7423

LANDSCAPE ARCHITECT:
 ROBINSON ANDERSON SUMMERS
 28 WEST STATE STREET
 MEDIA, PA 19063
 T: 302.888.1544

STRUCTURAL ENGINEER:
 STRUCTURAL DESIGN STUDIO, INC
 2225 EAST MURRAY HOLLADAY RD
 SALT LAKE CITY, UT 84117
 T: 801.274.3950

MEP ENGINEER:
 KOVACS, WHITNEY & ASSOCIATES
 190 WEST OSTEND ST, STE 300
 BALTIMORE, MD 21230
 T: 410.244.7191

CLIENT:
MARYLAND ZOO
 THE MARYLAND ZOO IN BALTIMORE
 1 SAFARI PLACE
 BALTIMORE, MD 21217

RED PANDA
 THE MARYLAND ZOO
 IN BALTIMORE
 1 SAFARI PLACE
 BALTIMORE, MD 21217

THIS DRAWING IS TO ILLUSTRATE THE WORK TO BE DONE. THE ARCHITECT IS NOT RESPONSIBLE FOR THE MEANS, METHODS, TECHNIQUES, SEQUENCES AND PROCEDURES USED TO DO THE WORK OR THE SAFETY ASPECTS OF CONSTRUCTION, AND NOTHING ON THE DRAWING EXPRESSED OR IMPLIED CHANGES THIS CONDITION. CONTRACTOR SHALL BE RESPONSIBLE FOR DETERMINING HOW THEY AFFECT THE WORK. SUBMITTAL OF A BID TO PERFORM THIS WORK IS AN ACKNOWLEDGMENT OF THESE RESPONSIBILITIES, AND THAT THEY HAVE BEEN FULLY CONSIDERED IN PLANNING OF THE WORK, AND THE BID PRICE. NO CLAIMS FOR EXTRA CHARGES DUE TO THESE CONDITIONS WILL BE FORTHCOMING.

SEAL:

PROFESSIONAL CERTIFICATION: I HEREBY CERTIFY THAT THESE DOCUMENTS WERE PREPARED OR APPROVED BY ME, AND THAT I AM A DAILY LICENSED PROFESSIONAL ENGINEER UNDER THE LAWS OF THE STATE OF MARYLAND, LICENSE NO. 1446, EXPIRATION DATE 5/25/25.

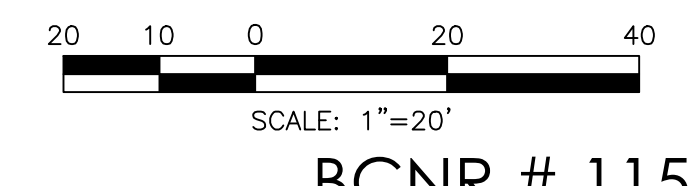
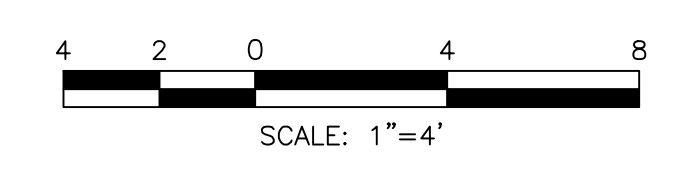
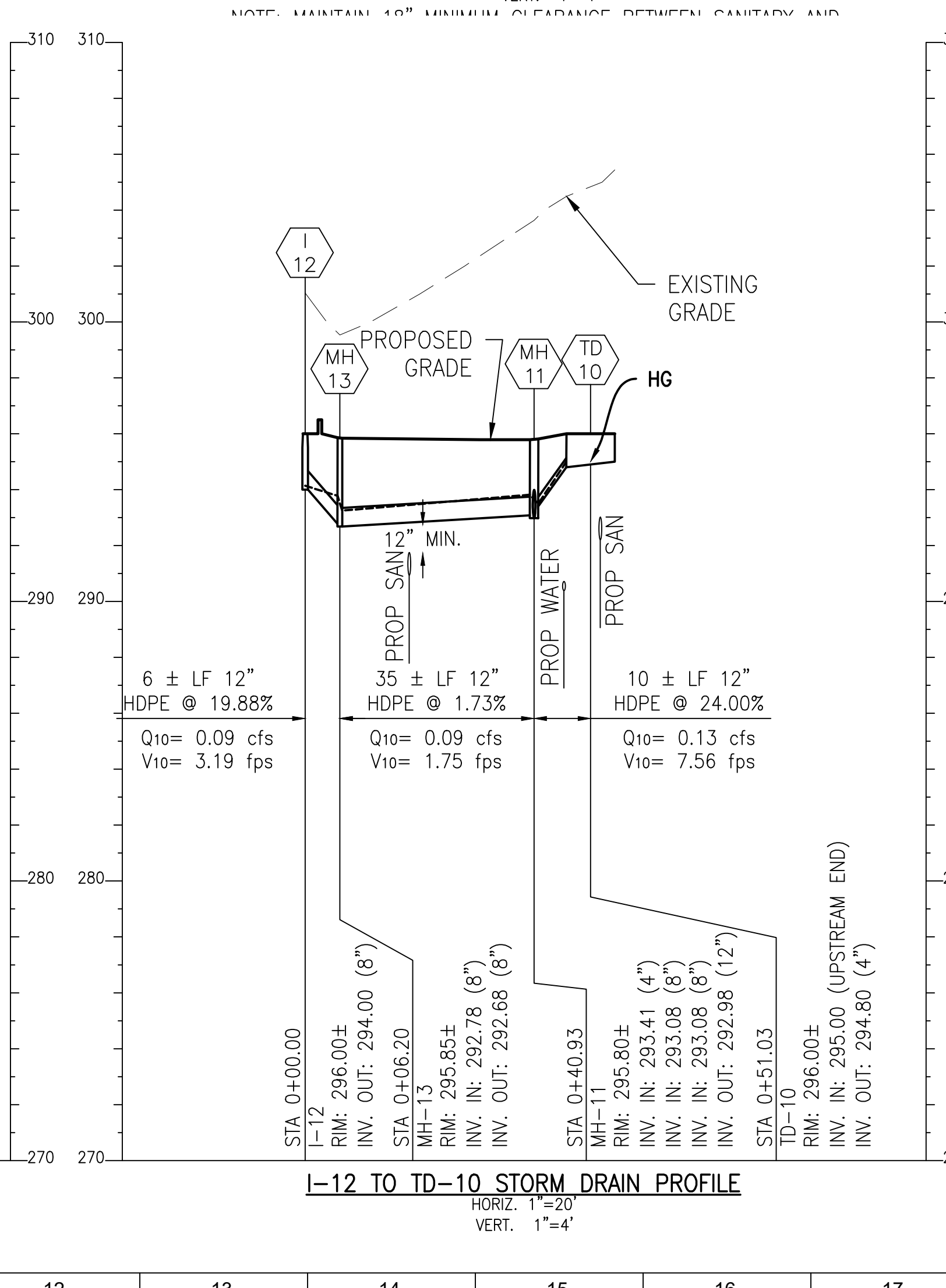
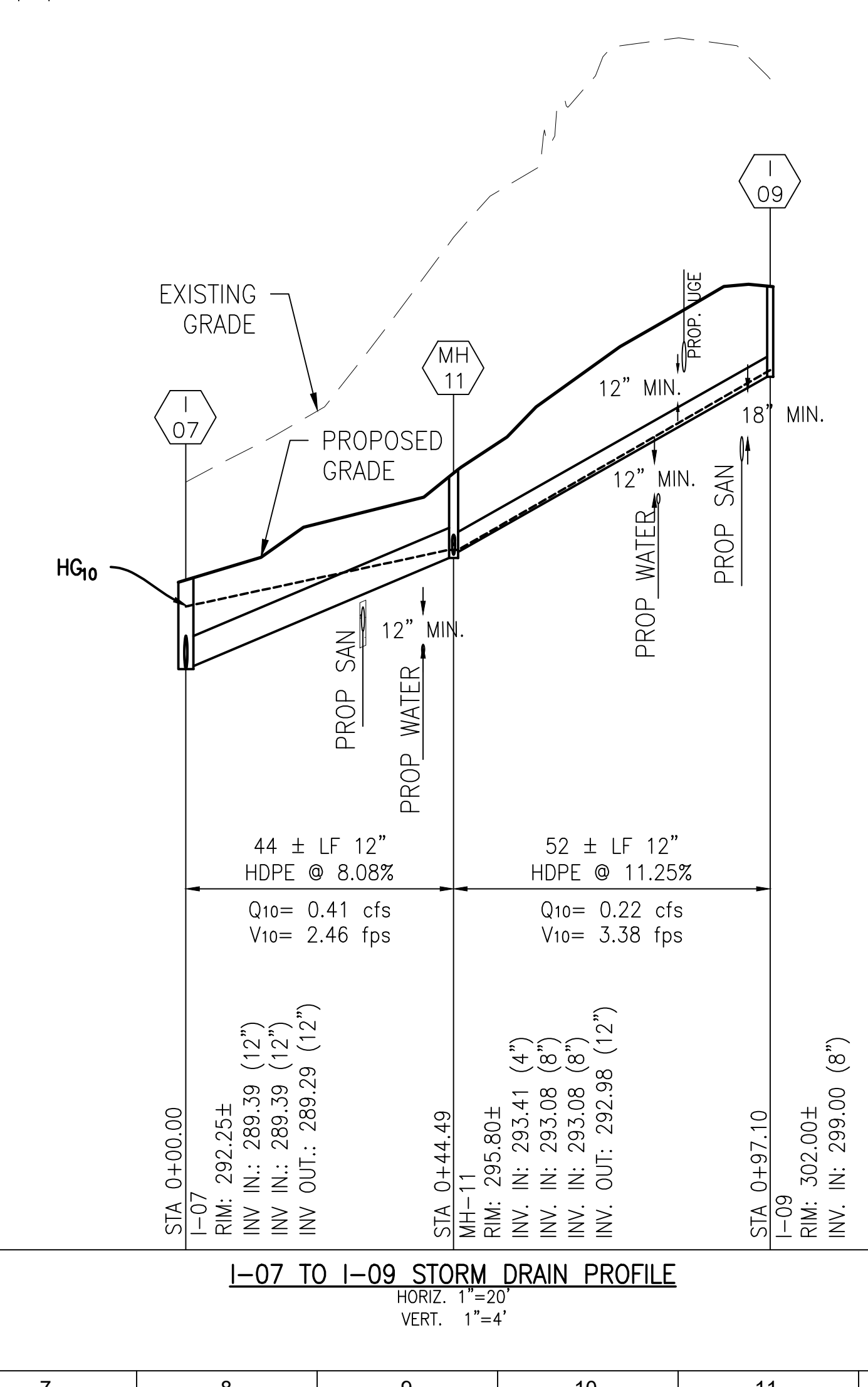
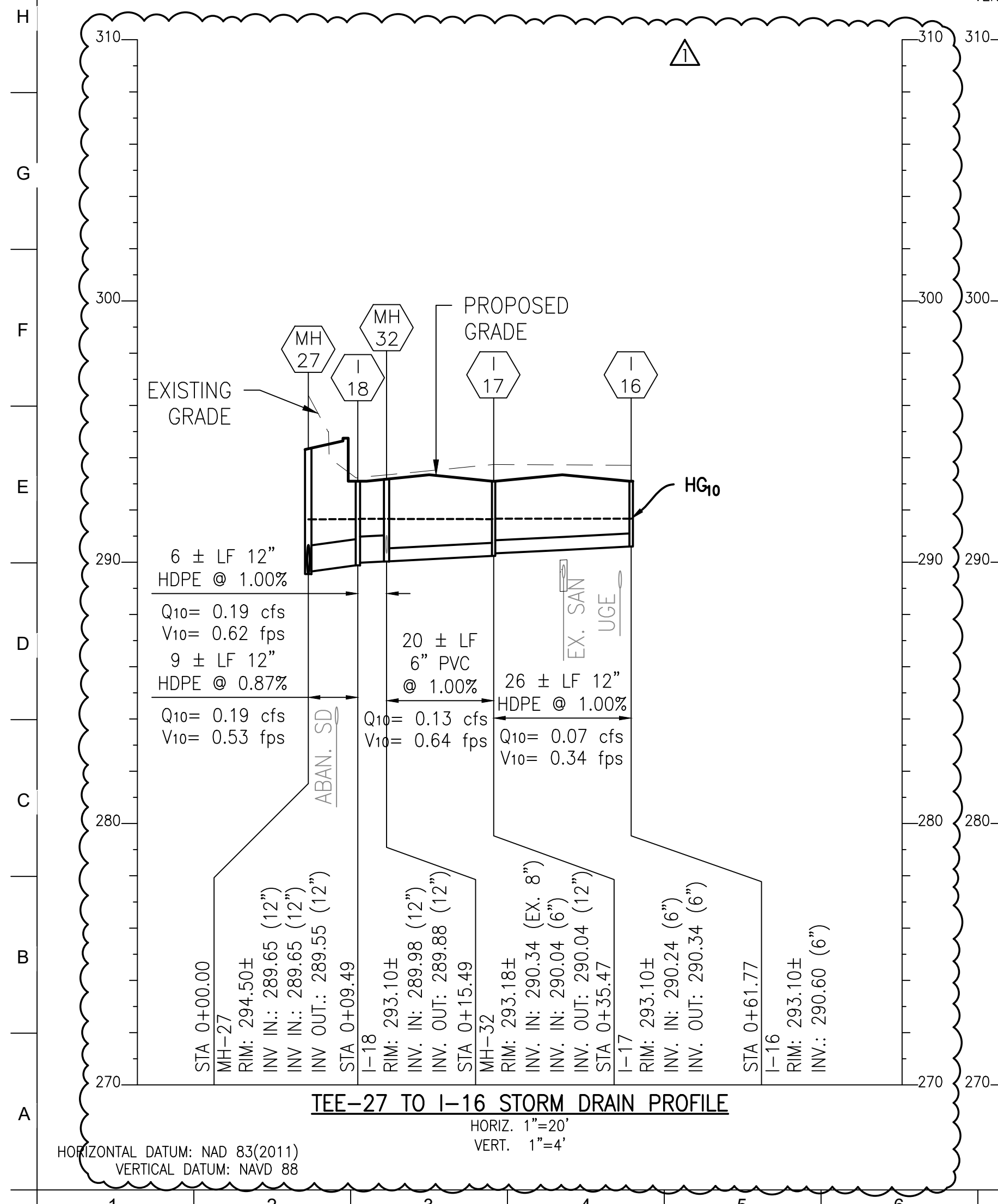
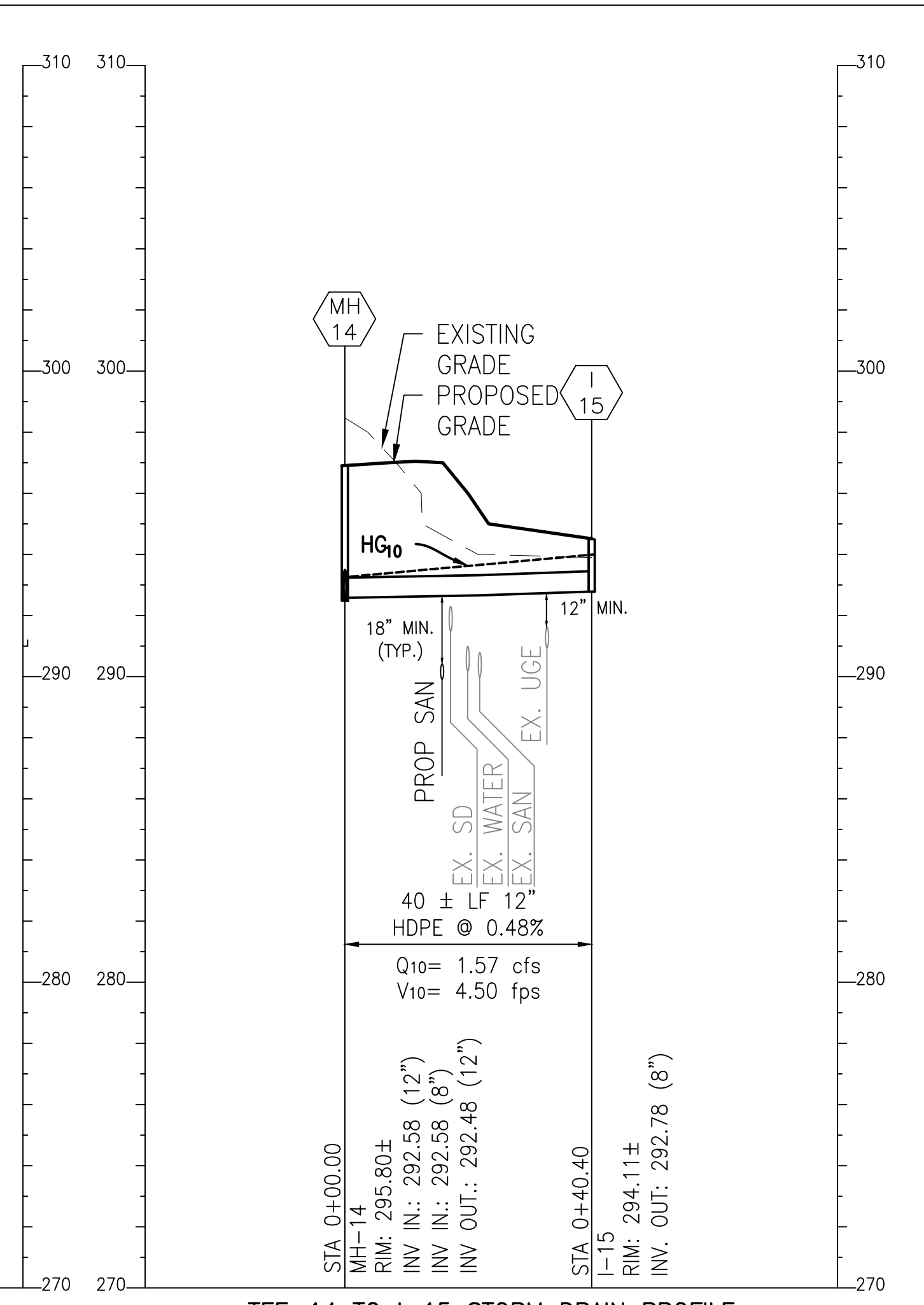
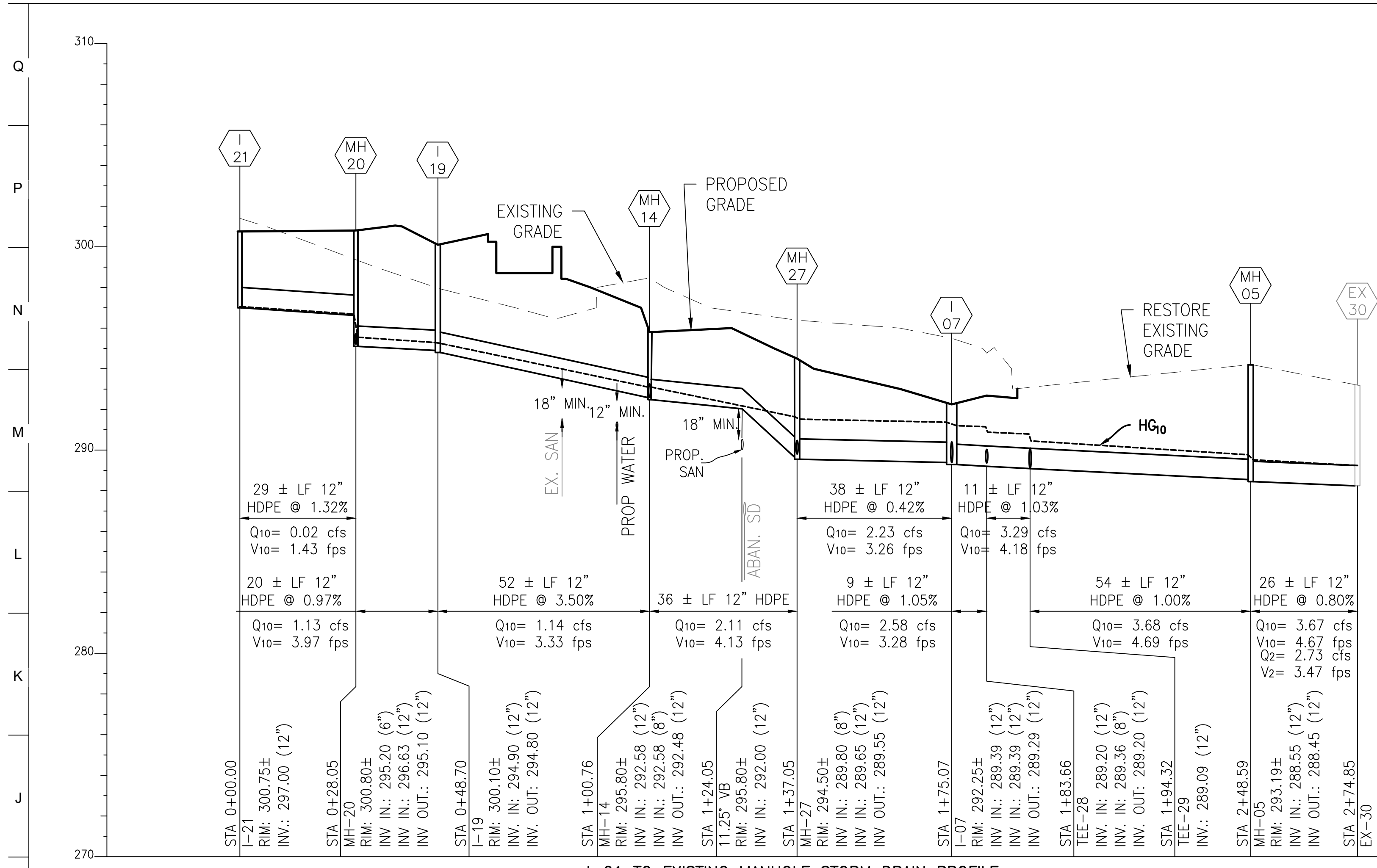
DATE: JANUARY 14, 2025
 PROJECT NO: 2023-10.04
 DRAWN BY: MJE
 CHECKED BY: CMS
 SUBMISSION: DATE
 BID SET: 01/14/2025

REVISION: DATE
 ADDENDUM 1: 02/03/2025

DRAWING TITLE:
 STORM DRAIN
 PROFILES

DRAWING NO:
C531

OWNER / DEVELOPER / APPLICANT:
 MARYLAND ZOO IN BALTIMORE
 1876 MANSION HOUSE DRIVE
 BALTIMORE MD 21217
 CONTACT: MR. KARL KRANZ
 PHONE: 443-552-3350



BCNR # 11545